



# **KNOTTY PINE DIY BARN DOOR**

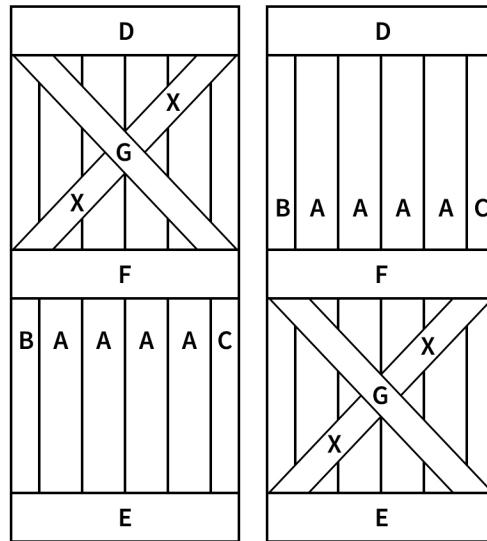
Instruction for assembling

Email: [service@jiameiinc.com](mailto:service@jiameiinc.com)



# KNOTTY PINE DIY BARN DOOR

Instruction for assembling



Top/Bottom X Series

## SIDE VIEW

A: Middle Plank



E: Bottom Plank



B: Left Outside Plank



F: Central Plank



C: Right Outside Plank



G: Cross Plank



D: Top Plank



X: X Plank



## SIZE

**SINGLE DOOR**

24" × 84"

28" × 84"

30" × 84"

36" × 84"

38" × 84"

42" × 84"

**DOUBLE DOOR**

48" × 84"

56" × 84"

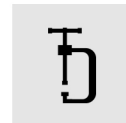
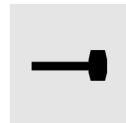
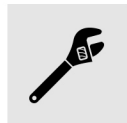
60" × 84"

72" × 84"

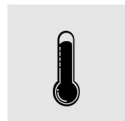
76" × 84"

84" × 84"

## TOOLS NEEDED



Avoid direct sunlight.



Avoid moisture.

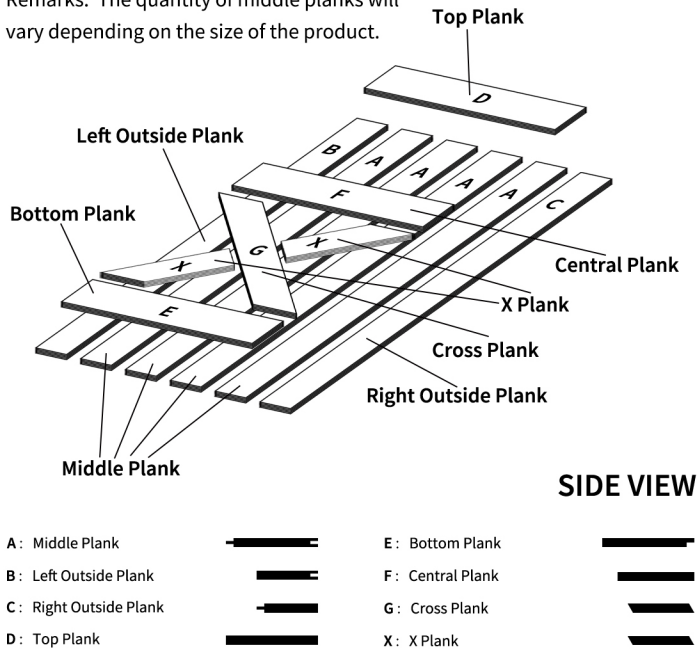


Avoid rain.

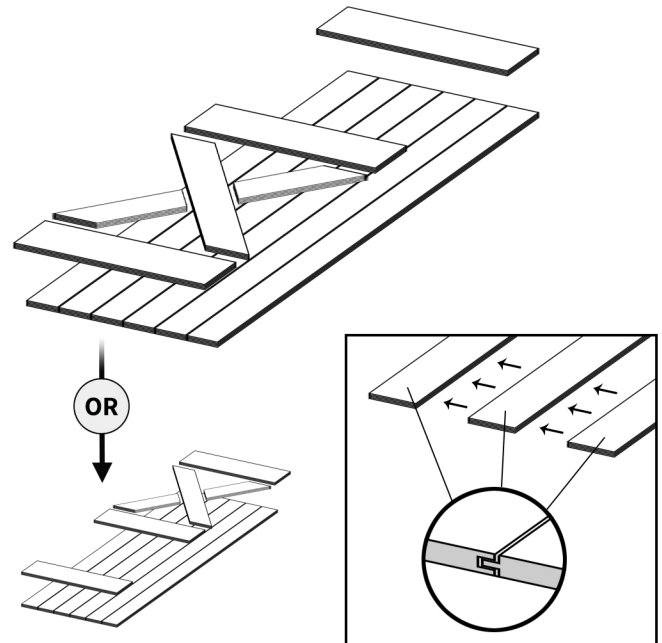
### Top/Bottom X Series

#### STEP 01 : Parts Included

Remarks: The quantity of middle planks will vary depending on the size of the product.



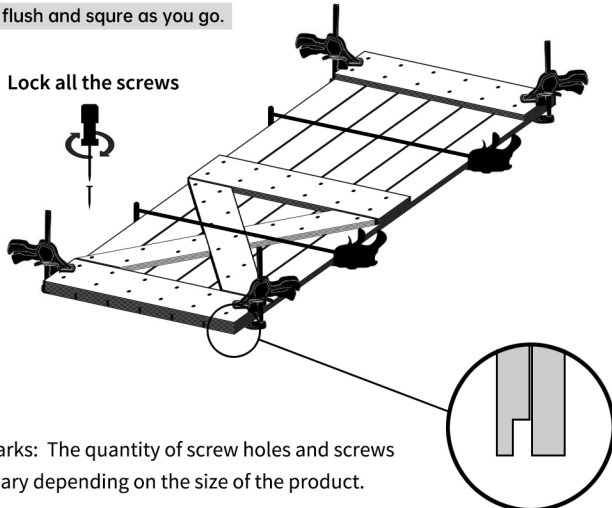
#### STEP 02 : Combine lower planks



#### STEP 03 : Combine upper and lower planks

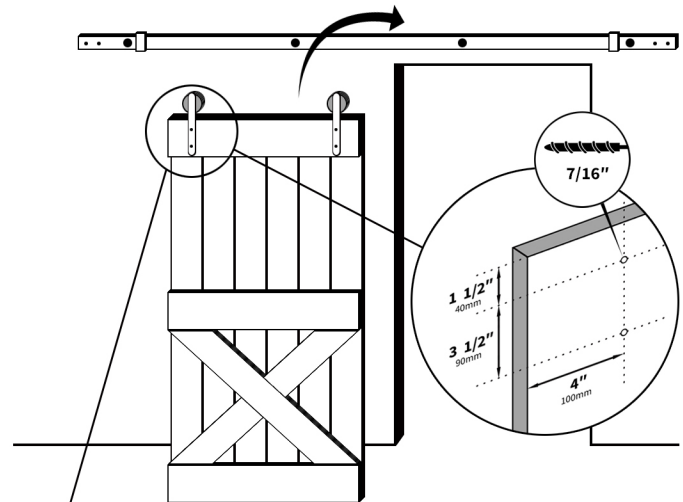
Once all planks are flush and square, secure the top and bottom planks with the screws provided. Using the clamps secure all 4 corners. With the pre-drilled holes as your guide, drill (1/8" bit) a shallow pilot hole into 4 corner holes. Do not drill completely through the door plank. Using a screw driver insert screws into the 4 corner pre-drilled holes. Continue process with the remaining screws. Make sure all screws are installed and secure. It is important to check that all planks are still flush and square as you go.

Lock all the screws



Remarks: The quantity of screw holes and screws will vary depending on the size of the product.

#### STEP 04 : Installing door and track



Screw holes door hangers are not pre-drilled on door. To install door hangers, you need to drill holes on your door.