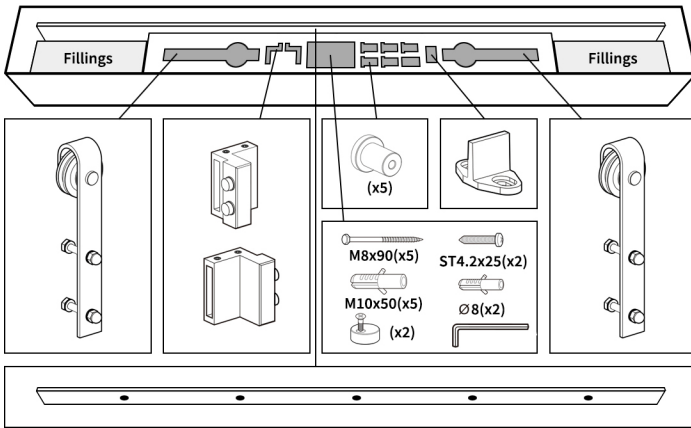
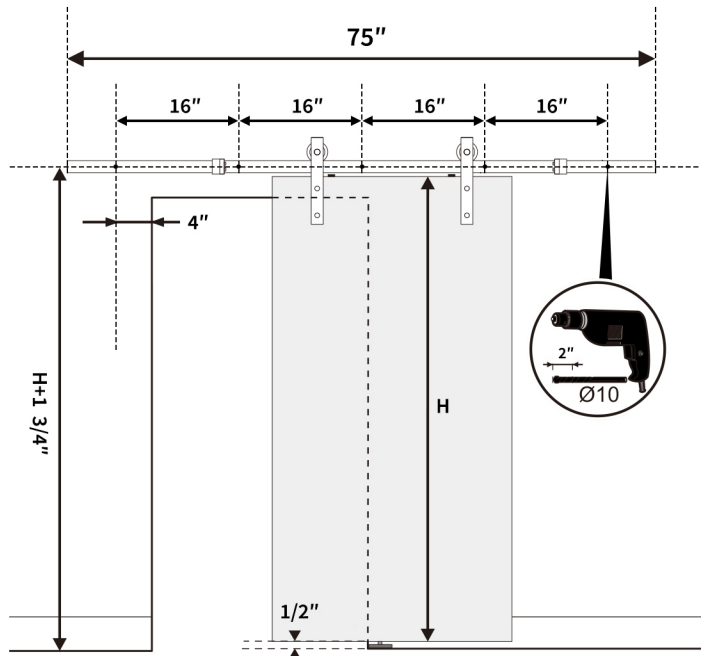


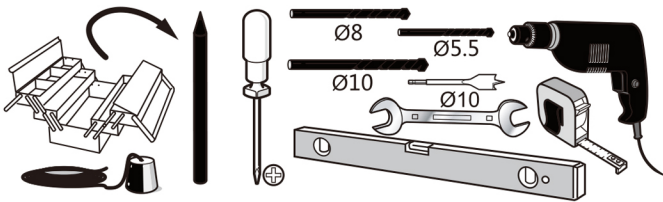
## Accessories included



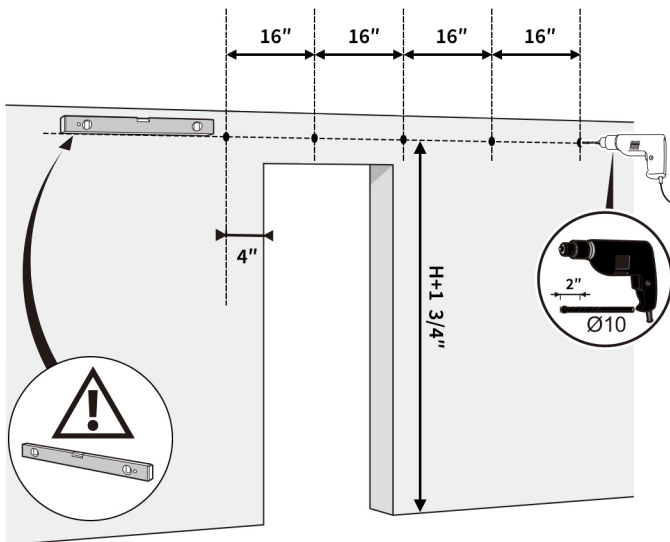
## Installation Dimensions



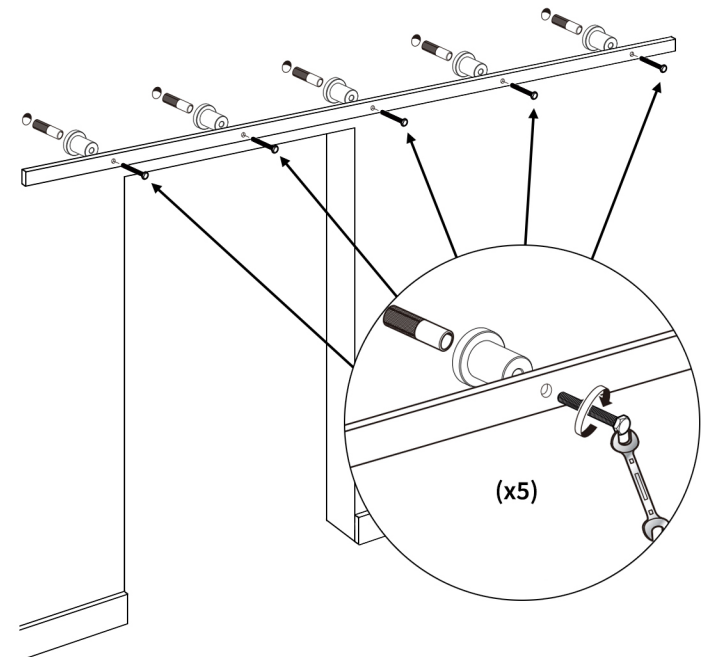
## Tools needed



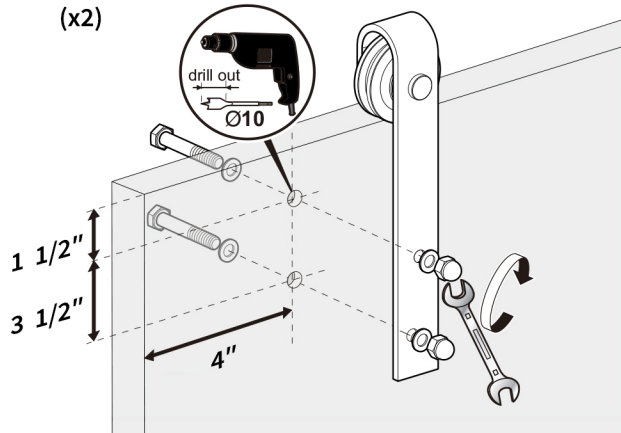
## STEP 01 : Measure for the track



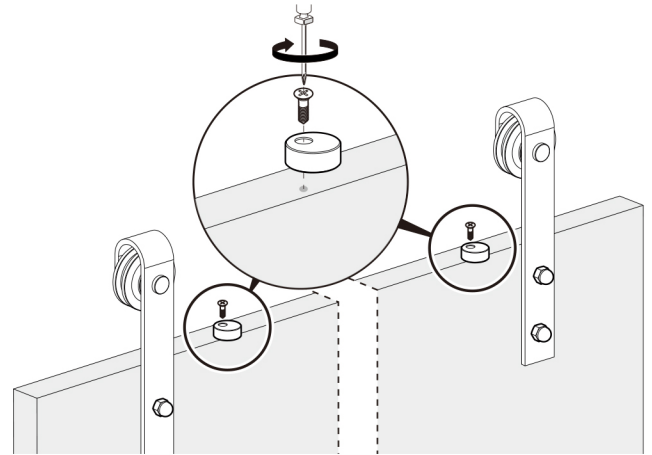
## STEP 02 : Attach track to the wall



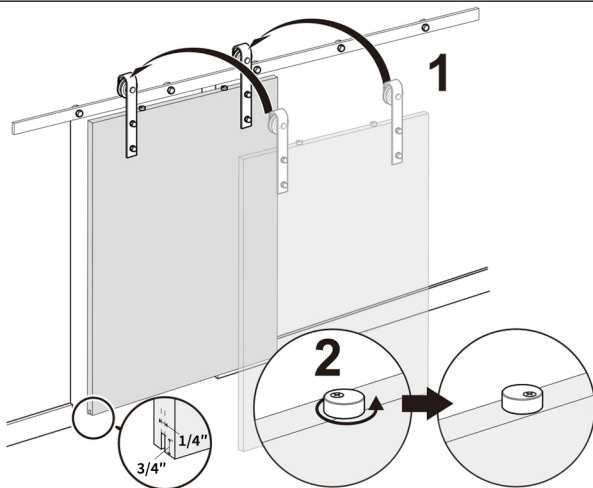
### STEP 03 : Install the roller



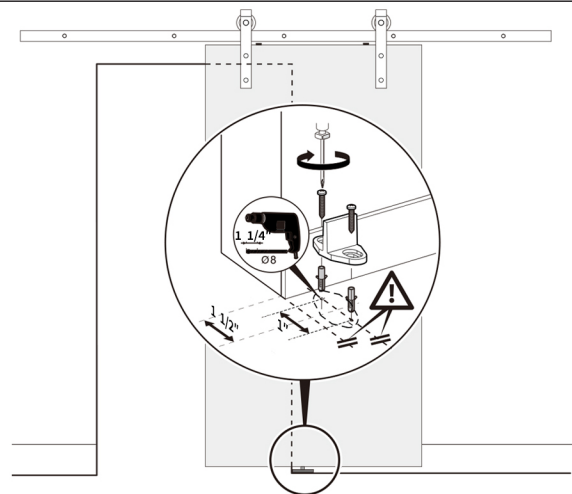
### STEP 04 : Install the Anti-jump Locks



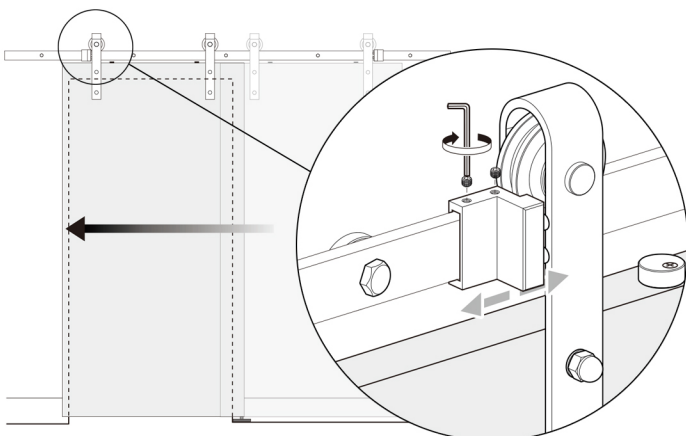
### STEP 05 : Hang the door on the rail



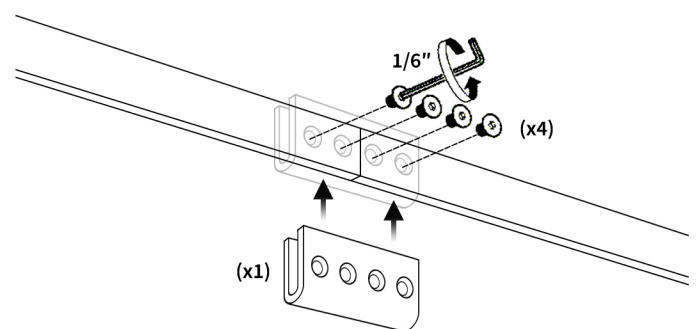
### STEP 06 : Install the floor-mount guide



### STEP 07 : Stoppers can be placed inside the end mounting track bolts to shorten the sliding movement



### Installation for 2 sets + connector



**NOTE :** Connector is only included if you purchase double door sliding door hardware, it is NOT included if you purchase only one set.