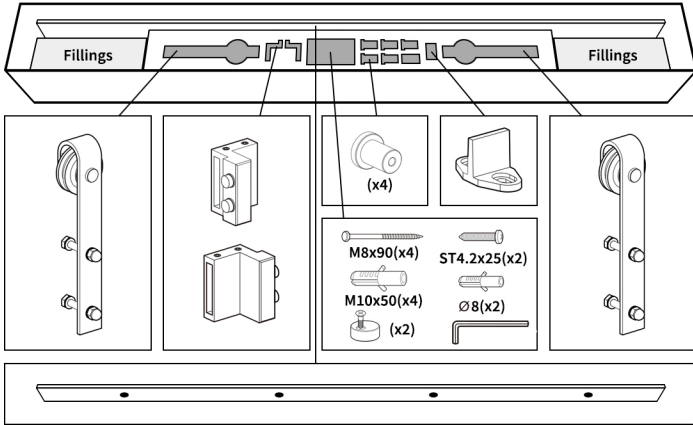
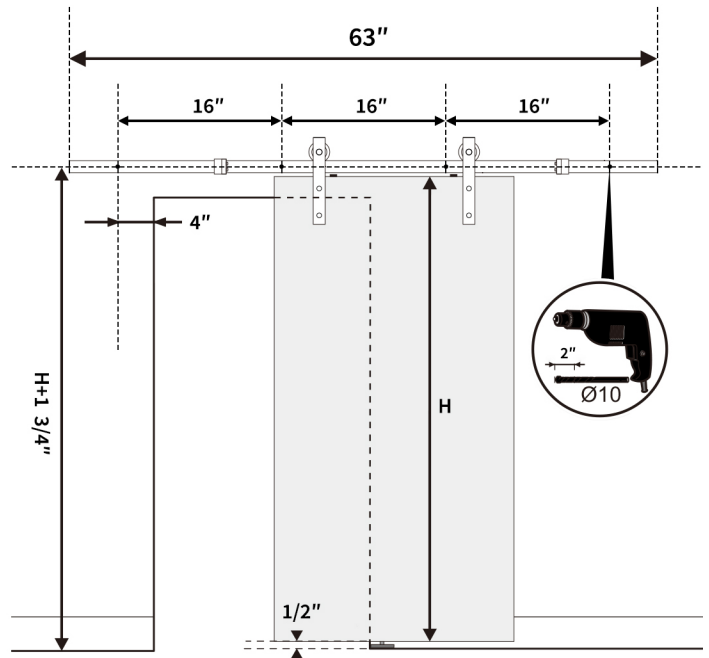


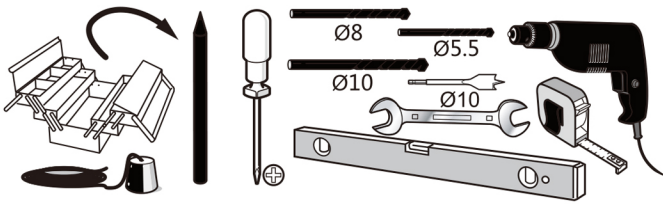
### Accessories included



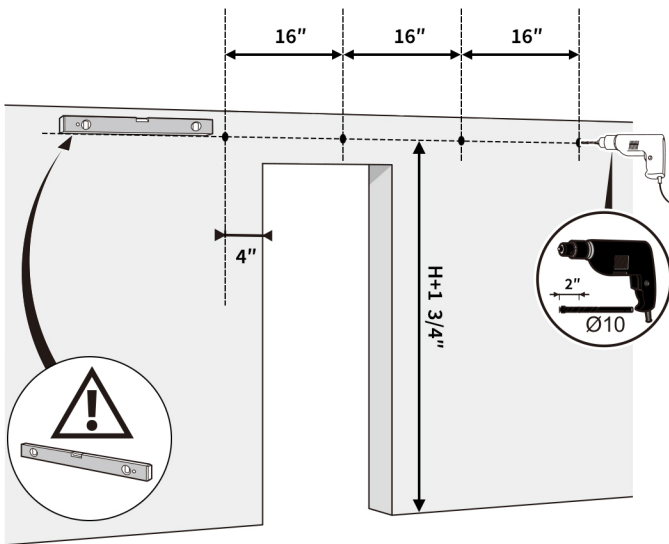
### Installation Dimensions



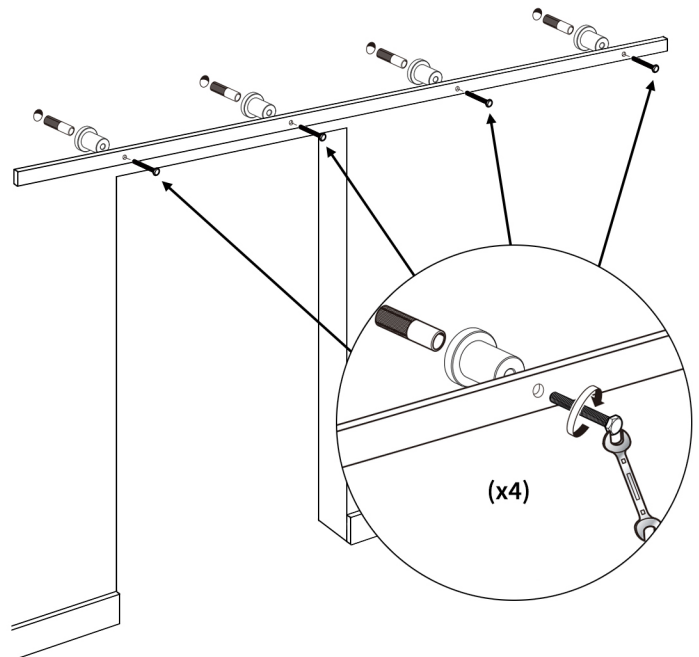
### Tools needed



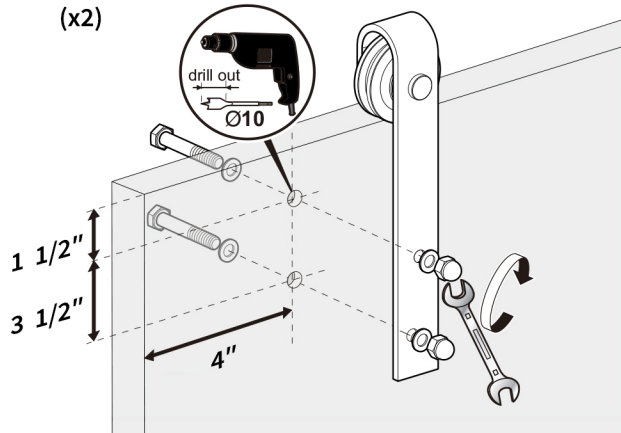
### STEP 01 : Measure for the track



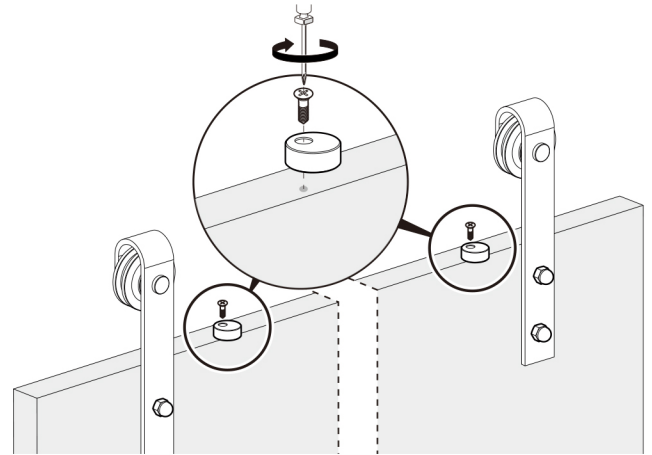
### STEP 02 : Attach track to the wall



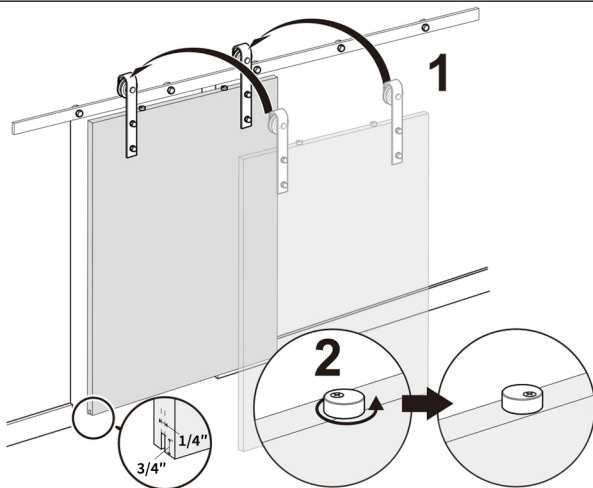
**STEP 03 : Install the roller**



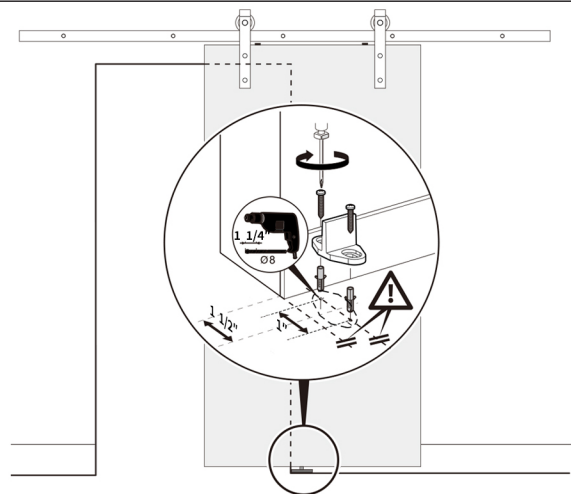
**STEP 04 : Install the Anti-jump Locks**



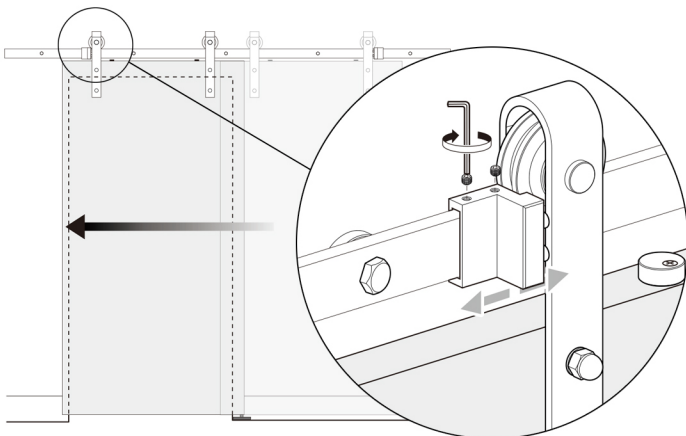
**STEP 05 : Hang the door on the rail**



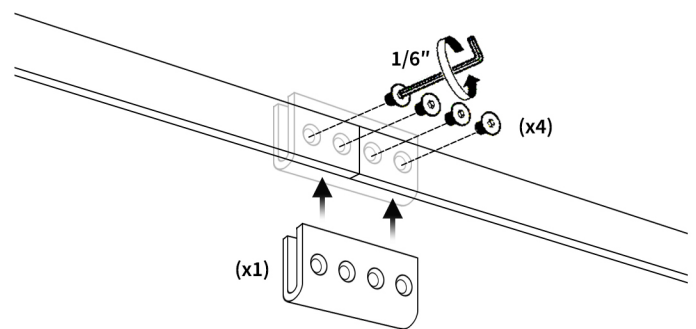
**STEP 06 : Install the floor-mount guide**



**STEP 07 : Stoppers can be placed inside the end mounting track bolts to shorten the sliding movement**



**Installation for 2 sets + connector**



**NOTE : Connector is only included if you purchase double door sliding door hardware, it is NOT included if you purchase only one set.**