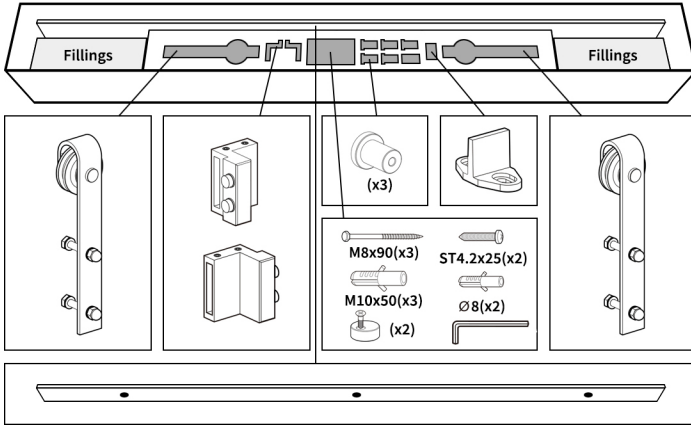
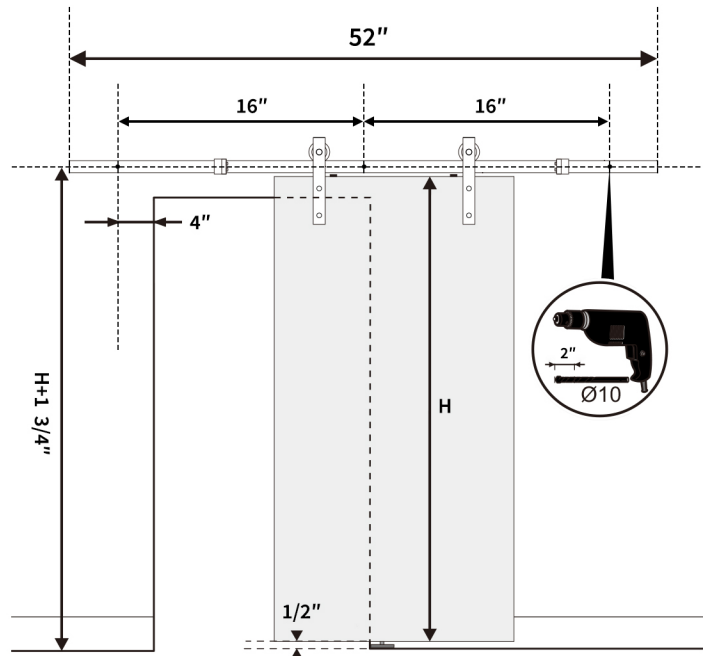


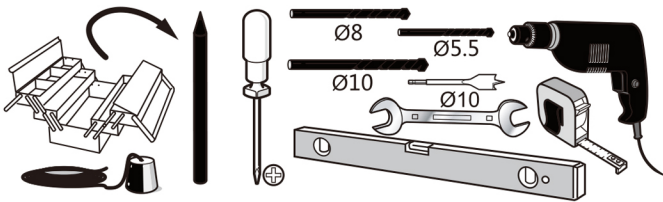
Accessories included



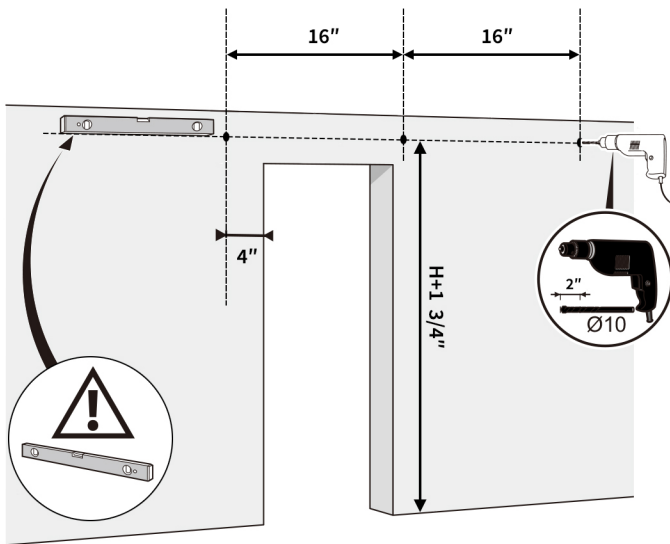
Installation Dimensions



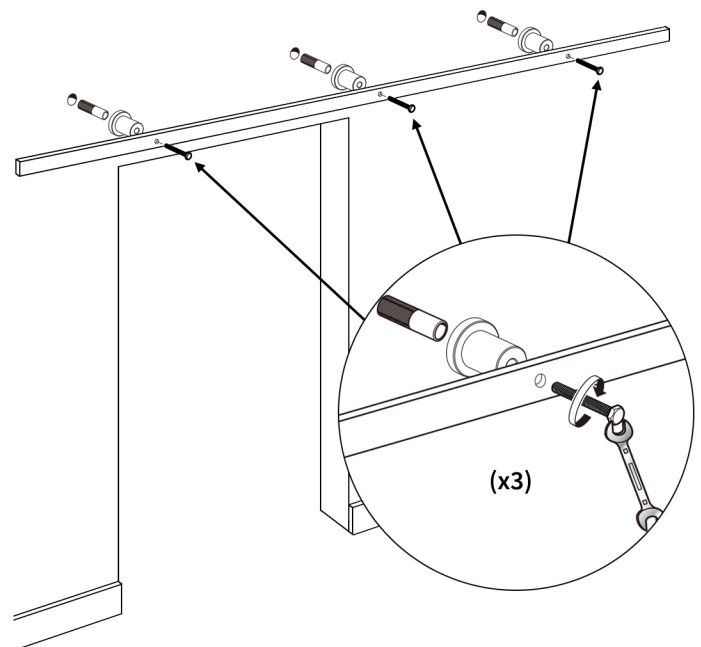
Tools needed



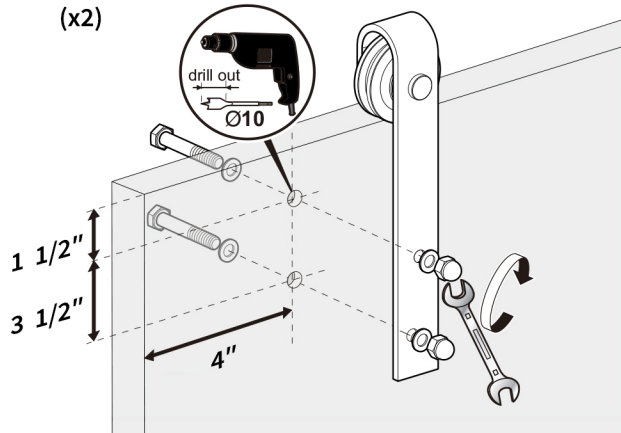
STEP 01 : Measure for the track



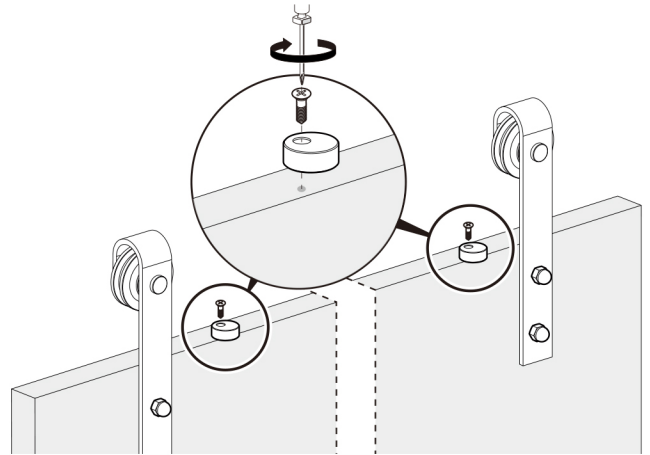
STEP 02 : Attach track to the wall



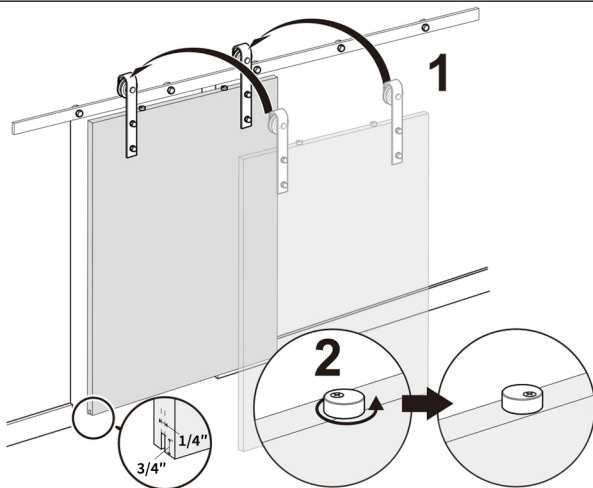
STEP 03 : Install the roller



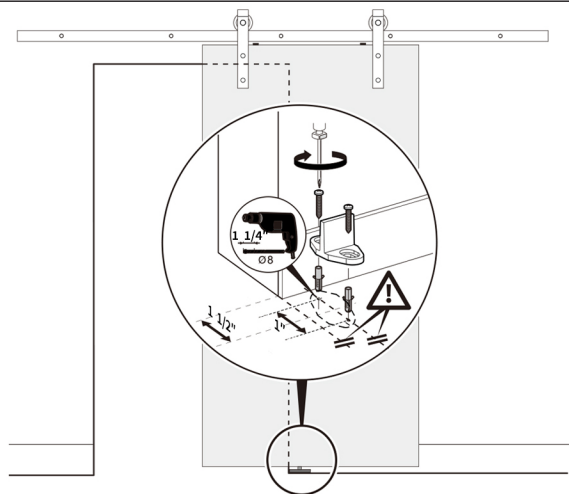
STEP 04 : Install the Anti-jump Locks



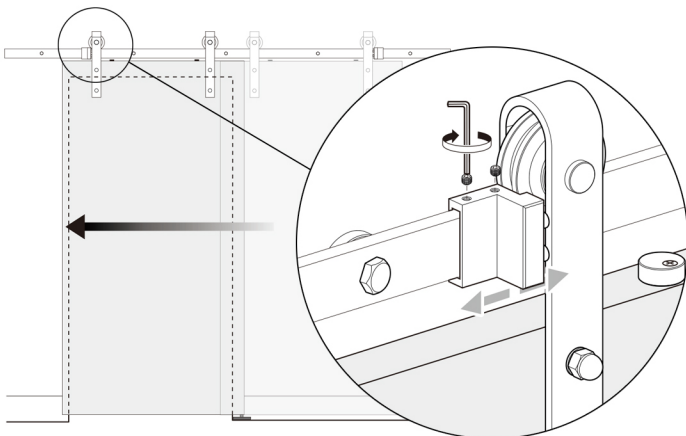
STEP 05 : Hang the door on the rail



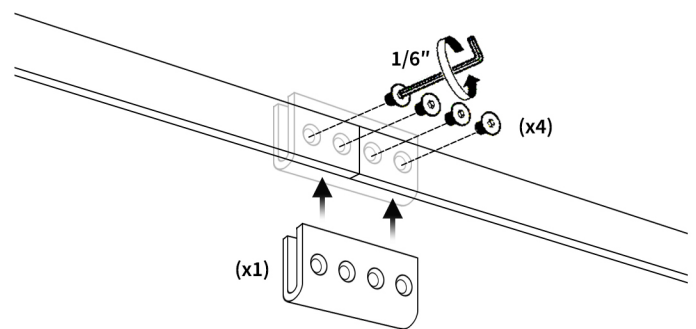
STEP 06 : Install the floor-mount guide



STEP 07 : Stoppers can be placed inside the end mounting track bolts to shorten the sliding movement



Installation for 2 sets + connector



NOTE : Connector is only included if you purchase double door sliding door hardware, it is NOT included if you purchase only one set.